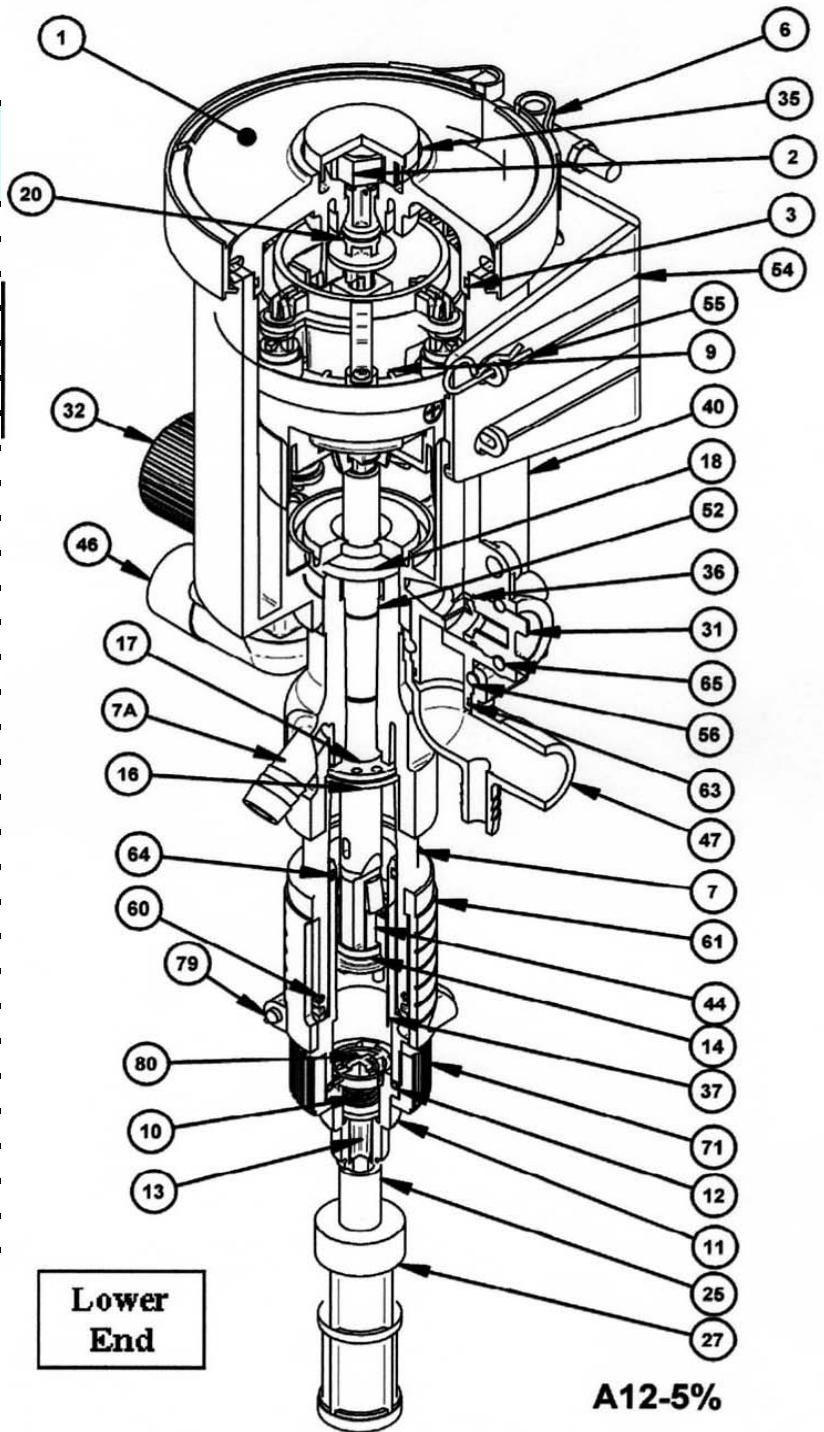


Manual Reference	Part #	Description of Part
1	195001	Cover
2	195029	Nut
3	212502V	O-ring, cover/body
6	195009	Clamp, V
7	197337	Cylinder, outer
7A	195517	Adaptor
11	194417	Fitting, suction tube, 1/4"
14	212501V	O-ring
16	195509A	Seal
17	212511VH	O-ring, shaft
18	195510	Retainer
25	010025	Suction tube, 1/4" x 5'
27	011017	Filter, mesh, for suction tube, 1/4" ID
31	011658V	Cap, with O-ring
35	195416	Cap
37	195404	Cylinder, inner
40	011713	Body w/plug
44	195444P	Dosage Piston
46	195140	Elbow, body 3/4" npt
47	195640	Elbow, body 3/4" npt w/barb
46	195139	Elbow, body 3/4" bsp
47	195639	Elbow, body 3/4" bsp w/barb
51	195408	Shaft, lower
56	195128SS	Pin, interlock elbow, stainless steel
60	212517W	O-ring
61	195406	Ratio adjustment sleeve
63	212516V	O-ring, elbow
64	212017V	O-ring, inner cylinder, lower end
65	195125	Pin interlock
79	195224	Pin, interlock, stainless steel



**BRØDR.
FREBERG AS**